

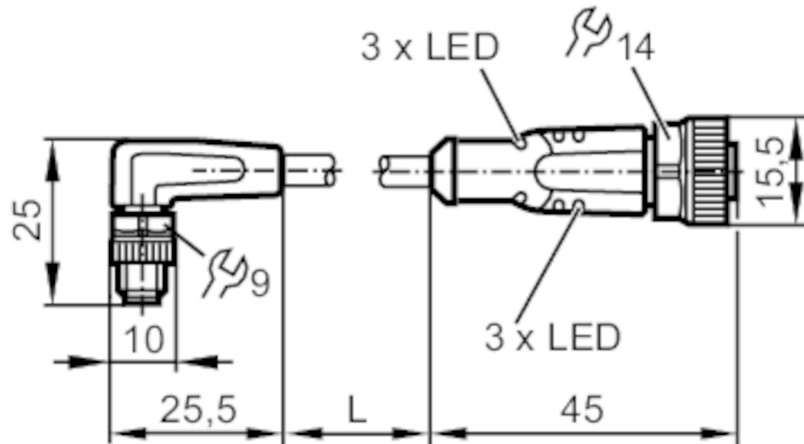
# EVC678



## Connection cable

VDOGH046MSS00,3H04STAF040MSS

Please see the technical note under "Downloads"



Application	
Special feature	Free from silicone; Halogen-free; Gold-plated contacts; Drag chain suitability
Free from silicone	yes
Electrical data	
Operating voltage [V]	10...36 DC
Protection class	III
Max. current load total [A]	3
Outputs	
Electrical design	PNP
Operating conditions	
Ambient temperature [°C]	-25...90
Note on ambient temperature	cULus: ...75 °C
Ambient temperature (moving) [°C]	-25...90
Note on ambient temperature (moving)	cULus: ...75 °C
Protection	IP 65; IP 67; IP 68; IP 69K
Mechanical data	
Weight [g]	39.2
Moulded-body material	TPU
Material nut	brass, nickel-plated
Sealing material	FKM

# EVC678



## Connection cable

VDOGH046MSS00,3H04STAF040MSS

Drag chain suitability	yes	
Drag chain suitability	bending radius for flexible use	min. 10 x cable diameter
	travel speed	max. 3.3 m/s for a horizontal travel length of 5 m and max. acceleration of 5 m/s <sup>2</sup>
	bending cycles	> 5 Mio.
	torsional strain	± 180 °/m

### Displays / operating elements

Display	switching status	4 x LED, yellow
	operation	2 x LED, green

### Remarks

Notes	Please see the technical note under "Downloads"	
Pack quantity	1 pcs.	

### Electrical connection - plug

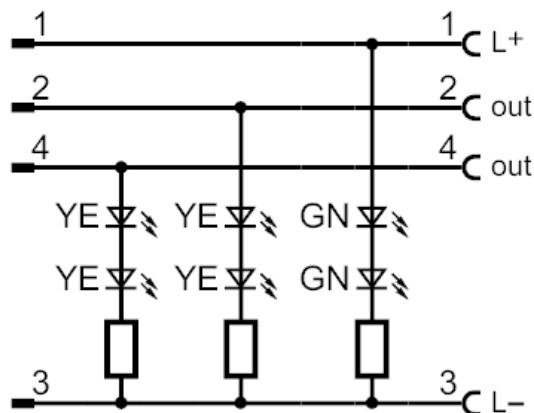
Connector: 1 x M8, angled; coding: A; Moulded body: TPU, orange; Locking: brass, nickel-plated; Contacts: gold-plated; Tightening torque: 0.3...0.5 Nm



### Electrical connection

Cable: 0.3 m, PUR, Halogen-free, black, Ø 4.3 mm; 4 x 0.34 mm<sup>2</sup> (42 x Ø 0.1 mm)

### Connection



# EVC678



## Connection cable

VDOGH046MSS00,3H04STAF040MSS

### Electrical connection - socket

Connector: 1 x M12, straight; coding: A; Moulded body: TPU, black transparent; Locking: brass, nickel-plated; Sealing: FKM;  
Contacts: gold-plated; Tightening torque: 0.6...1.5 Nm

